

Accessories, D series

FESTO



Mounting attachments

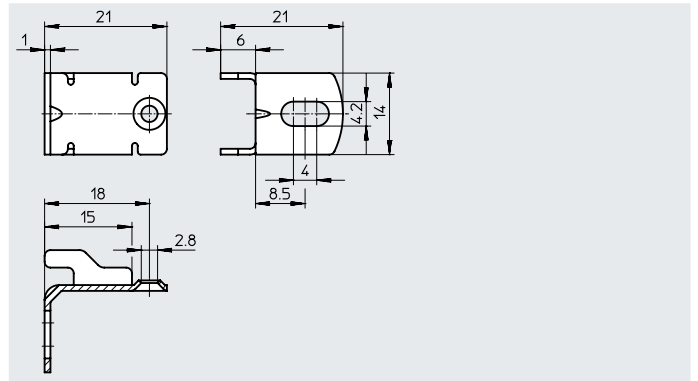
Mounting bracket HFOE-D

Micro size

- For wall mounting

Material:

Galvanised steel



Ordering data

Size	Part no.	Type
Micro	526317	HFOE-D-MICRO

Mounting bracket HFOE-D

Mini/Midi/Maxi size

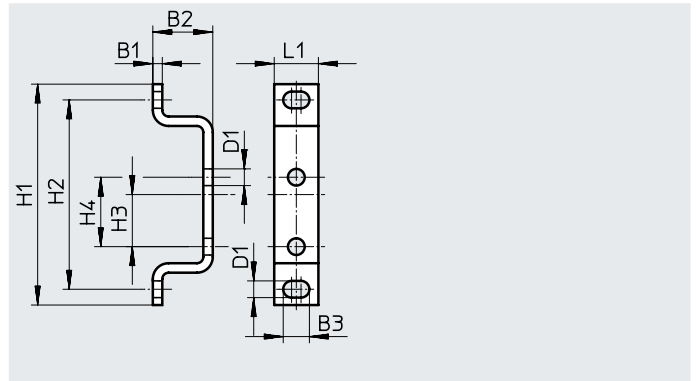
- For wall mounting

Material:

Galvanised steel

Note on materials:

Free of copper and PTFE



Dimensions and ordering data

Size	B1	B2	B3	D1	H1	H2	H3	H4	L1	CRC ¹⁾	Part no.	Type
Mini	2	19	7.3	4.3	43	35	5.5	11	12	2	159638	HFOE-D-MINI
Midi/Maxi	3	19	8.3	5.3	70	60	16.5	22	14	2	159593	HFOE-D-MIDI/MAXI

1) Corrosion resistance class CRC 2 to Festo standard FN 940070

Moderate corrosion stress. Indoor applications in which condensation can occur. External visible parts with primarily decorative surface requirements which are in direct contact with a normal industrial environment.

Mounting bracket set HRBS-DB

- For wall mounting

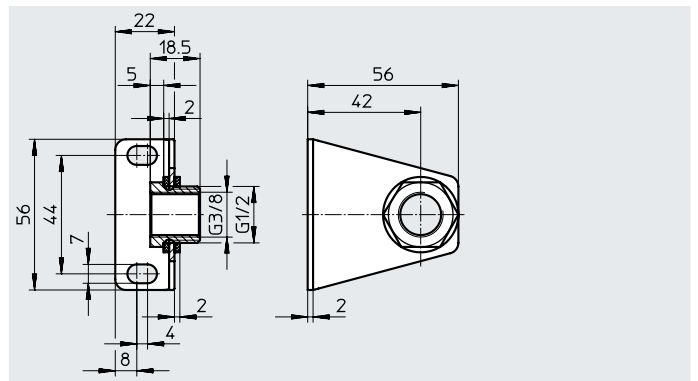
Material

Hollow bolt, bracket: Galvanised steel

Sealing ring: Polyvinyl chloride

Note on materials:

Free of copper and PTFE



Dimensions and ordering data

Size	Pneumatic connection 1	CRC ¹⁾	Weight [g]	Part no.	Type
Mini	G3/8	2	150	540791	HRBS-DB-MINI

1) Corrosion resistance class CRC 2 to Festo standard FN 940070

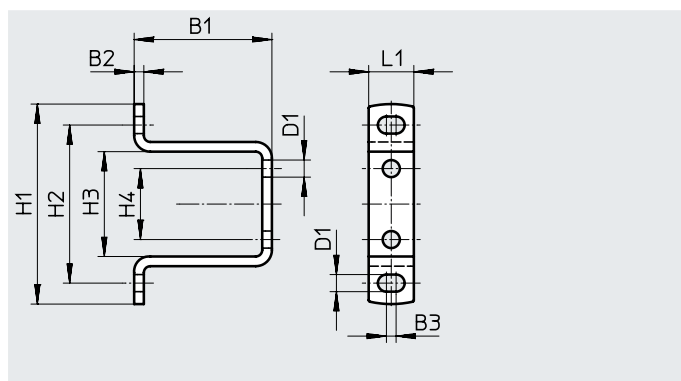
Moderate corrosion stress. Indoor applications in which condensation can occur. External visible parts with primarily decorative surface requirements which are in direct contact with a normal industrial environment.

Mounting attachments

Mounting bracket HRB-D

- For wall mounting
- For pressure regulators LRB/LRBS

Material:
Galvanised steel



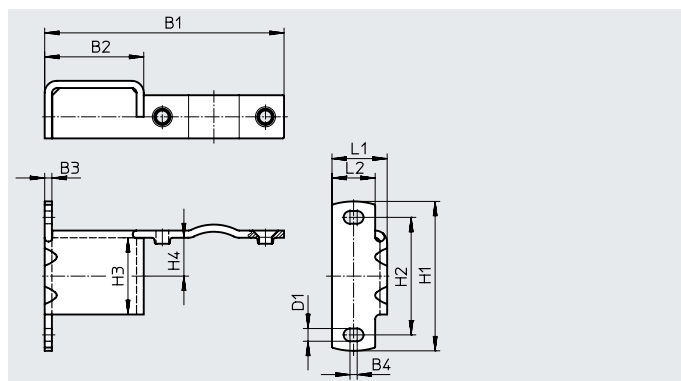
Dimensions and ordering data

Size	B1	B2	B3	D1 ∅	H1	H2	H3	H4	L1	Part no.	Type
Mini	38.8	2.5	3	4.3	47.3	35	20	11	12	525029	HRB-D-MINI
Midi	42.7	3	3	5.3	62	49	32.5	22	14	525030	HRB-D-MIDI

Mounting bracket HRBK-D

- For wall mounting
- For pressure regulators LRB/LRBS

Material:
Galvanised steel



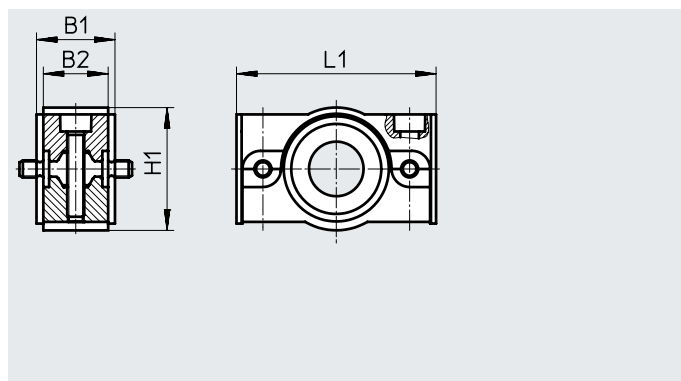
Dimensions and ordering data

Size	B1	B2	B3	B4	D1 ∅	H1	H2	H3	H4	L1	L2	Part no.	Type
Mini	80.5	37.5	2.5	3	4.3	47.3	35	20	10	18.5	14	525031	HRBK-D-MINI
Midi	99.8	41.3	3	3	5.3	62.3	49	32	16	24	18	525032	HRBK-D-MIDI

Connecting kit HRBC-D

- For pressure regulators LRB/LRBS

Material:
Die-cast zinc



Dimensions and ordering data

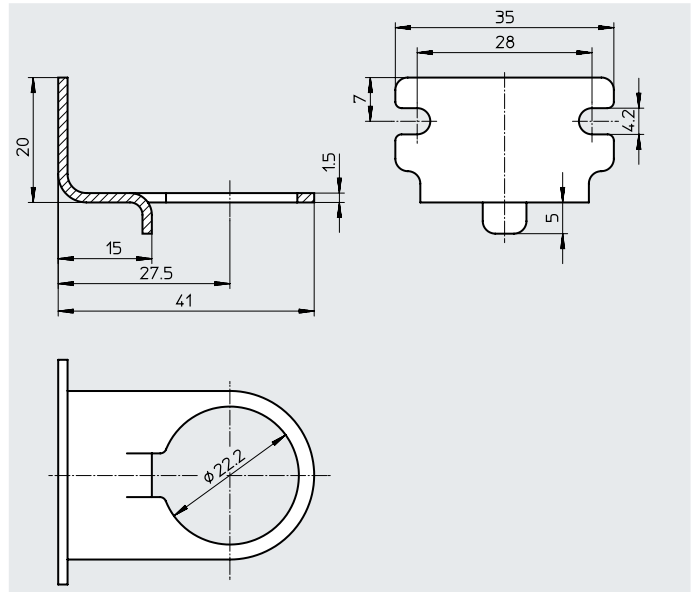
Size	B1	B2	H1	L1	Weight [g]	Part no.	Type
Mini	17.4	14.8	20	43	65	529022	HRBC-D-MINI
Midi	23	18.6	36	58.5	188	529023	HRBC-D-MIDI

Mounting attachments

Mounting bracket HRS-D

- For wall mounting an individual component

Material:
Galvanised steel



Ordering data

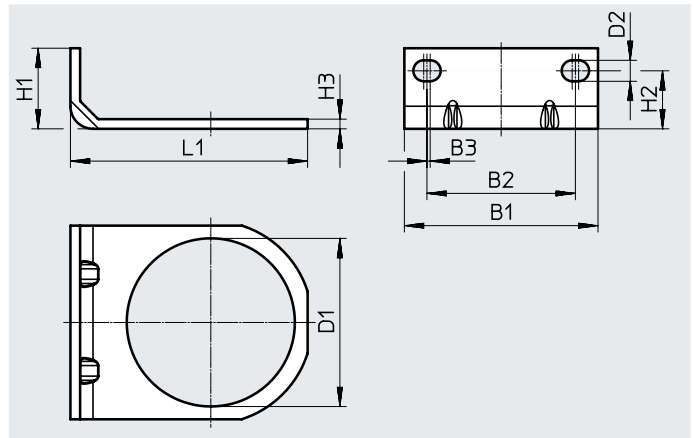
Size	Part no.	Type
Micro	526316	HRS-D-MICRO

Mounting bracket HR-D

- For wall mounting an individual component

Material:
Steel

Note on materials:
RoHS-compliant (HR-D-R3 only)



Dimensions and ordering data

Size	B1	B2	B3	D1 ø	D2	H1	H2	H3	L1	CRC ¹⁾	Weight [g]	Part no.	Type
Mini	42	28	1	36.1	6.5	25	18	3	57.5	2	-	164936	HR-D-MINI
Midi	60	46	1	52.1	6.5	25	18	3	73.5	2	-	162804	HR-D-MIDI
Maxi	64	51	1	36.1	6.5	25	18	3	82	2	-	162805	HR-D-MAXI
DI	64	51	1	52.1	6.5	25	18	3	82	2	-	193802	HR-D-DI-MAXI

High corrosion stress

Midi	60	46	1	52.1	6.5	25	18	3	73.5	3	73	4650310	HR-D-R3
------	----	----	---	------	-----	----	----	---	------	---	----	---------	---------

1) Corrosion resistance class CRC 2 to Festo standard FN 940070

Moderate corrosion stress. Indoor applications in which condensation can occur. External visible parts with primarily decorative surface requirements which are in direct contact with a normal industrial environment.

Corrosion resistance class CRC 3 to Festo standard FN 940070

High corrosion stress. Outdoor exposure under moderate corrosive conditions. External visible parts with primarily functional surface requirements which are in direct contact with a normal industrial environment.

Mounting attachments

Hex nut HMR-D

- For filter regulators LFR and pressure regulators LR

Material:

Wrought aluminium alloy



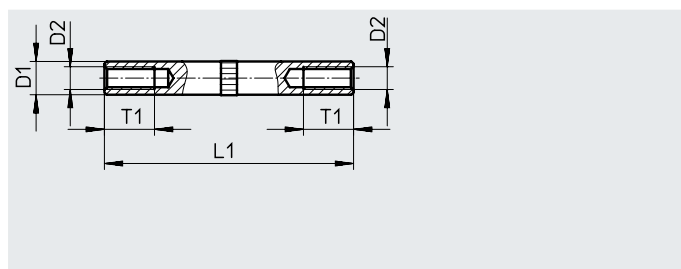
Ordering data		Part no.	Type
Size			
Micro		526816	HMR-D-MICRO
Mini/Maxi		530025	HMR-D-MINI/MAXI
Midi		530026	HMR-D-MIDI

Threaded bolt HSB-D

- For individual devices with connecting plates

Material:

High alloy steel



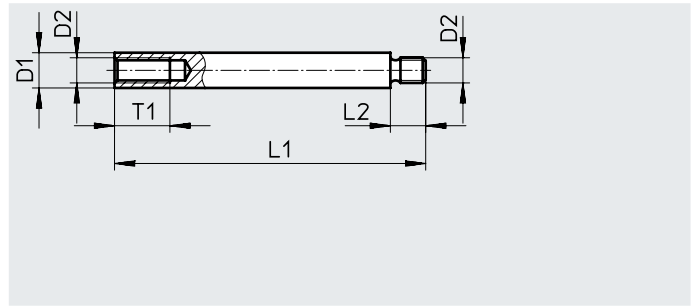
Dimensions and ordering data						
Size	D1 ∅	D2	L1	T1 min.	Part no.	Type
Mini	6.5	M4	39.7	10	531057	HSB-D-MINI
Midi	7.5	M5	54.7	11	531058	HSB-D-MIDI

Mounting attachments

Threaded bolt FRB-D-MICRO

- For service units

Material:
High alloy steel



Dimensions and ordering data

Size	D1 ∅	D2	L1	L2	T1 min.	CRC ¹⁾	Part no.	Type
Micro	3.5	M2.5	28.4	4	6	2	526817	FRB-D-MICRO

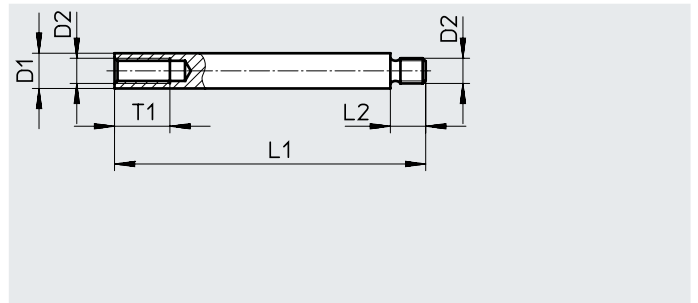
1) Corrosion resistance class CRC 2 to Festo standard FN 940070

Moderate corrosion stress. Indoor applications in which condensation can occur. External visible parts with primarily decorative surface requirements which are in direct contact with a normal industrial environment.

Threaded bolt FRB-D-MINI/MIDI/ MAXI

- For service units

Material:
High alloy steel



Dimensions and ordering data

Size	D1 ∅	D2	L1	L2	T1 min.	CRC ¹⁾	Part no.	Type
Mini	6	M4	47.3	7.5	10	2	159642	FRB-D-MINI
Midi	7	M5	61.8	7	11	2	159595	FRB-D-MIDI
Maxi	7	M5	72.8	7	11	2	159643	FRB-D-MAXI

1) Corrosion resistance class CRC 2 to Festo standard FN 940070

Moderate corrosion stress. Indoor applications in which condensation can occur. External visible parts with primarily decorative surface requirements which are in direct contact with a normal industrial environment.

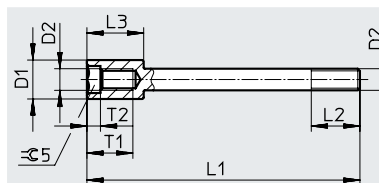
Mounting attachments

Threaded bolt FRB-DB

- Replacement for socket head screws in lubricators for service unit FRC-DB for attaching a further service unit component

Material:
Steel

Note on materials:
Free of copper and PTFE



Dimensions and ordering data										
Size	D1 \varnothing	D2	L1	L2 min.	L3	T1	T2	CRC ¹⁾	Part no.	Type
Mini	7.2	M4	50.5	9	10.5	8.5	2.5	1	542187	FRB-DB-MINI

1) Corrosion resistance class CRC 1 to Festo standard FN 940070

Low corrosion stress. Dry indoor application or transport and storage protection. Also applies to parts behind covers, in the non-visible interior area, and parts which are covered in the application (e.g. drive trunnions).

Nut assortment M4-DB

- For service units

Material:
Galvanised steel

Note on materials:
Free of copper and PTFE



Ordering data		Part no.	Type
Size	CRC ¹⁾		
Mini	1	542790	M4-DB-MINI

1) Corrosion resistance class CRC 1 to Festo standard FN 940070

Low corrosion stress. Dry indoor application or transport and storage protection. Also applies to parts behind covers, in the non-visible interior area, and parts which are covered in the application (e.g. drive trunnions).

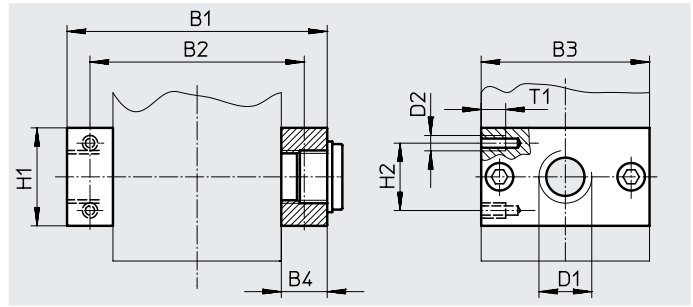
Connecting plates

Connecting plates LRBAS-D

- For pressure regulators LRB/LRBS

Material:

Die-cast zinc



Dimensions and ordering data

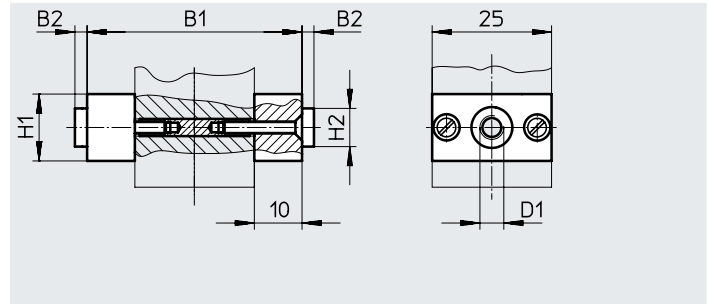
Size	Connection	B1	B2	B3	B4	D1	D2	H1	H2	T1 max.	Part no.	Type
Mini	G1/4	64	52	40	12	G1/4	M4	20	11	7	525033	LRBAS-1/4-D-MINI
	G3/8	70	52	40	15	G3/8	M4	23	11	7	525034	LRBAS-3/8-D-MINI
Midi	G3/8	85	70	55	15	G3/8	M5	32	22	8	525035	LRBAS-3/8-D-MIDI
	G1/2	85	70	55	15	G1/2	M5	32	22	8	525036	LRBAS-1/2-D-MIDI

Connection set PBL-D

- For service units FRC, filter regulators LFR, filters LF, pressure regulators LR and lubricators LOE

Material:

Wrought aluminium alloy



Dimensions and ordering data

Size	Connection	B1	B2	D1	H1	H2	Part no.	Type
Micro	G1/8	45	-	G1/8	14	-	526318	PBL-1/8-D-MICRO
	QS4	45	2.5	QS4	14	8	526321	PBL-QS4-D-MICRO
	QS6	45	2.5	QS6	14	10	526322	PBL-QS6-D-MICRO

Connecting plates

Connection set PBL-DB

- For wall mounting
- For establishing a pneumatic connection G3/8

Material:

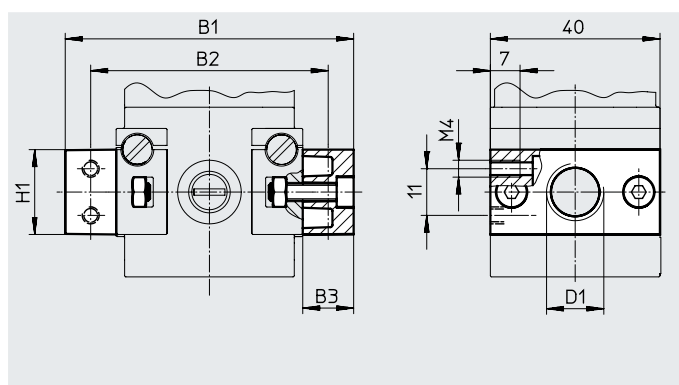
Connecting plate: Die-cast zinc

Nut, screws: Galvanised steel

Seals: Nitrile rubber

Note on materials:

Free of copper and PTFE



Dimensions and ordering data								
Size	B1	B2	B3	D1	H1	CRC ¹⁾	Part no.	Type
Mini	68	56	12	G1/8	20	1	542787	PBL-1/8-DB-MINI
	68	56	12	G1/4	20		542788	PBL-1/4-DB-MINI
	74	56	15	G3/8	23		542789	PBL-3/8-DB-MINI

1) Corrosion resistance class CRC 1 to Festo standard FN 940070

Low corrosion stress. Dry indoor application or transport and storage protection. Also applies to parts behind covers, in the non-visible interior area, and parts which are covered in the application (e.g. drive trunnions).

Safety components

Regulator lock LRVS

Lock to prevent unauthorised adjustment of the set pressure of pressure and filter regulators.

Material:

Cap: Polyacetal

Locking plate: Steel

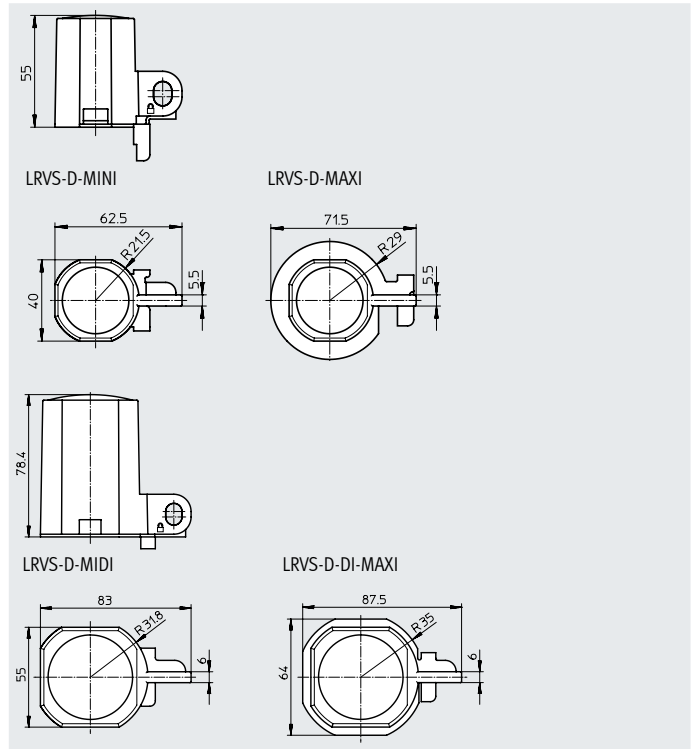
Knurled nut: Aluminium

Note on materials:

Free of copper and PTFE

Ambient temperature:

-20 ... +60°C



Ordering data

Size	Weight [g]	Part no.	Type
Mini	40	193781	LRVS-D-MINI
Midi	60	193782	LRVS-D-MIDI
Maxi	56	193783	LRVS-D-MAXI
DI	36	193784	LRVS-D-DI-MAXI

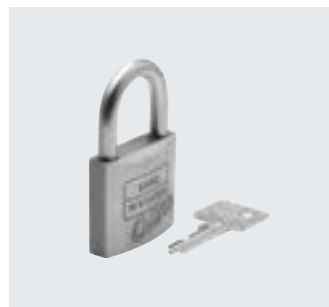
Padlock LRVS-D

Material:

Housing: Brass

Ambient temperature:

-20 ... +60°C



Ordering data

Size	Weight [g]	Part no.	Type
Mini/Midi/Maxi	120	193786	LRVS-D